

4085 Devereux Chase
Roswell, GA 30075
678.315.1751

Scale: NTS

Date: 6/26/2024

Project:

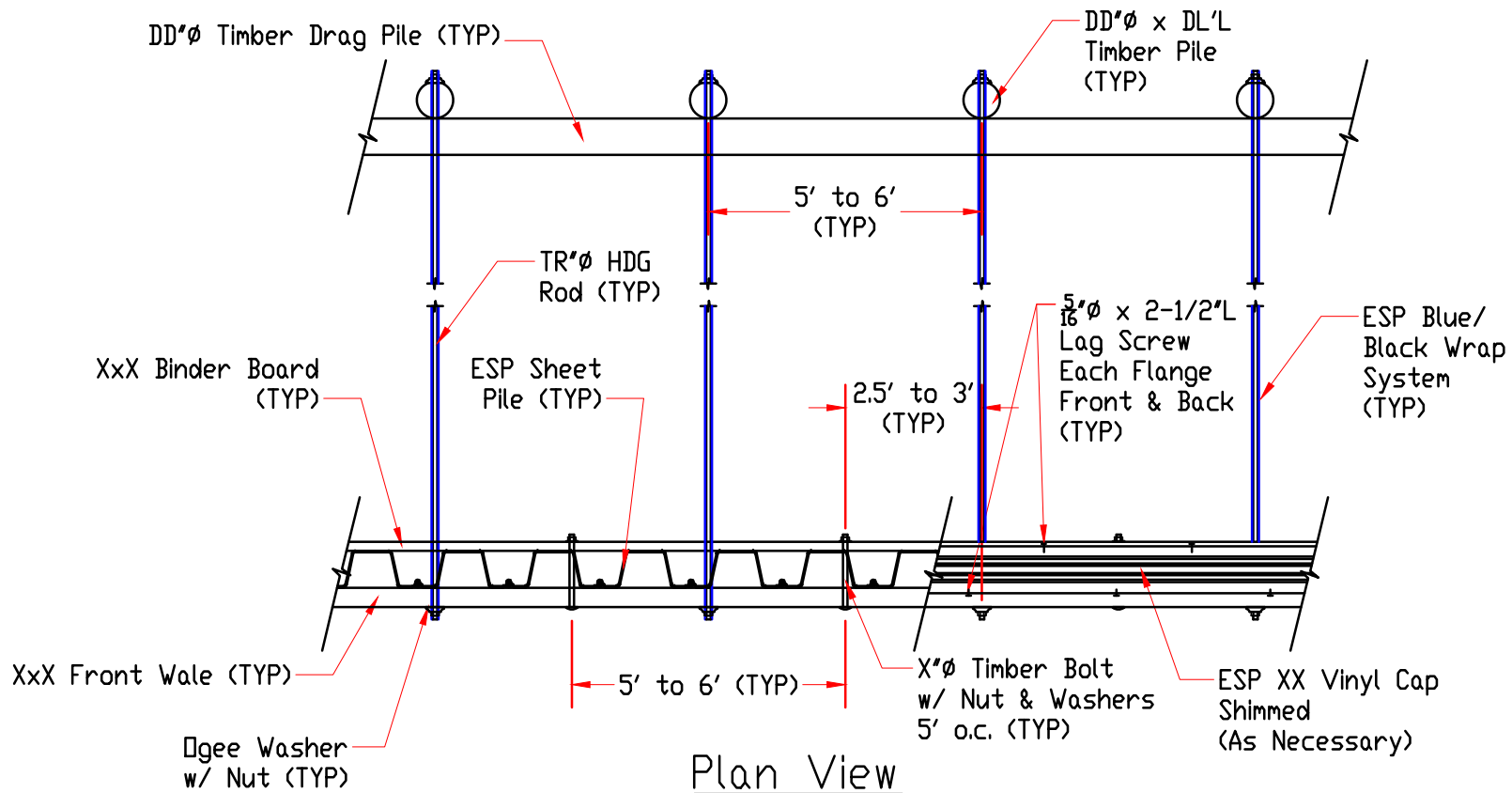
Conceptual Bulkhead Design
Timber Wale & Earth Anchor

Sheet 1 of 2

Conceptual Bulkhead
Design
Not for Construction

Certified only with seal, signature, and date

NOTE:
Noted variables in design are to be decided on by a local, registered engineer.



 **Ingenium, Inc.**TM
4085 Devereux Chase
Roswell, GA 30075
678.315.1751

Scale: NTS

Date: 6/26/2024

Project:
Conceptual Bulkhead Design
Timber Wale & Earth Anchor

Sheet 2 of 2

**Conceptual Bulkhead
Design
Not for Construction**

Certified only with seal, signature, and date