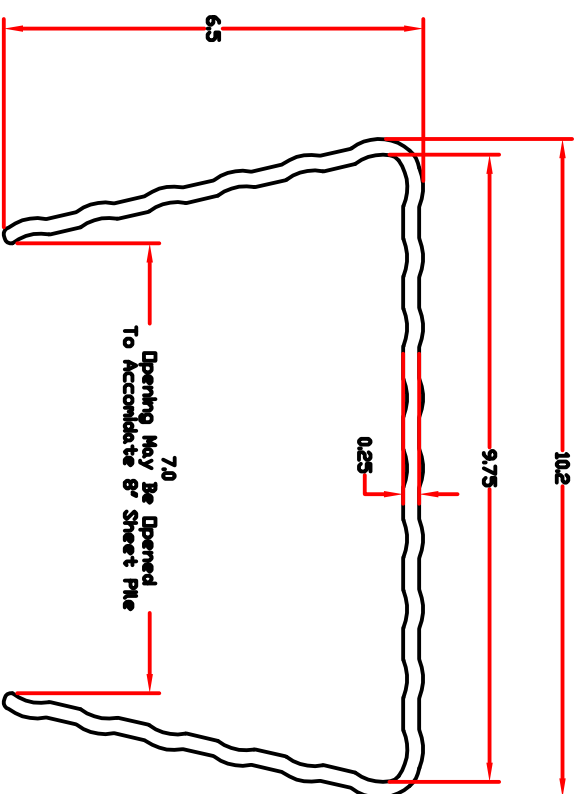
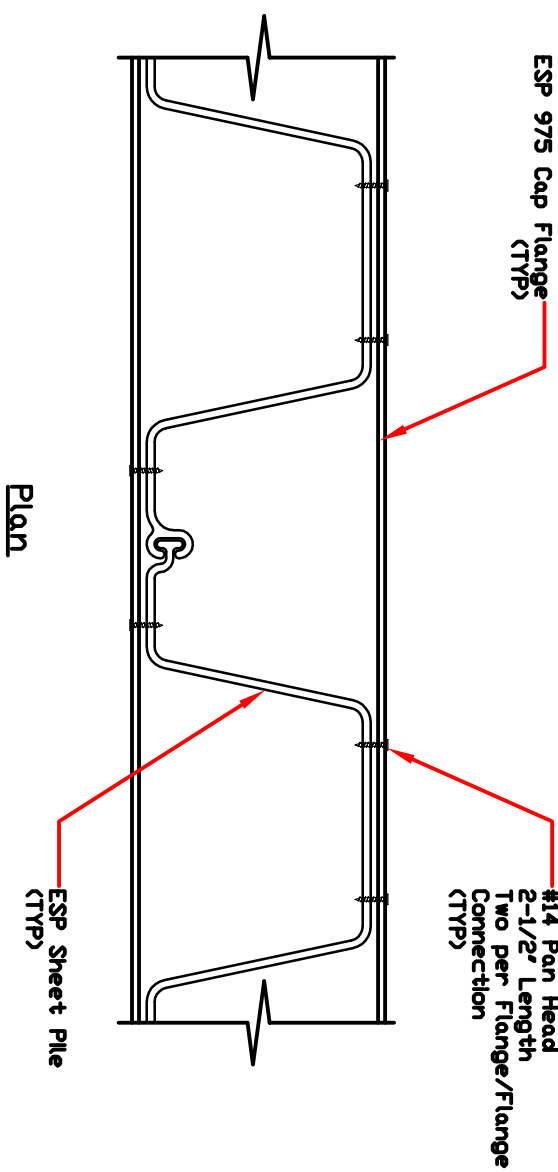
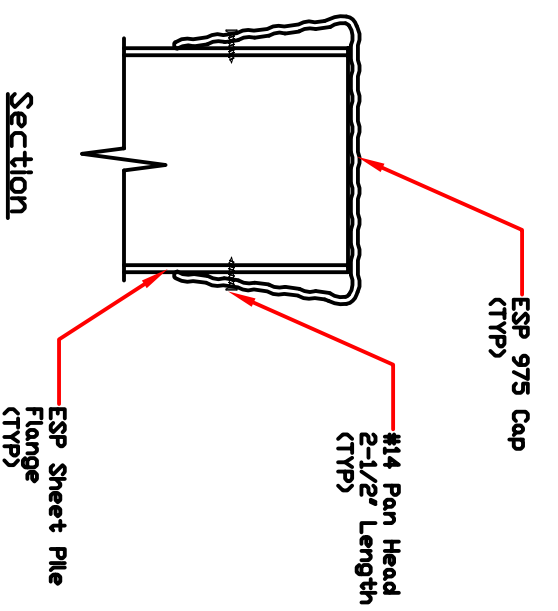


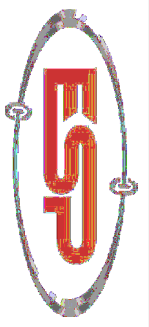
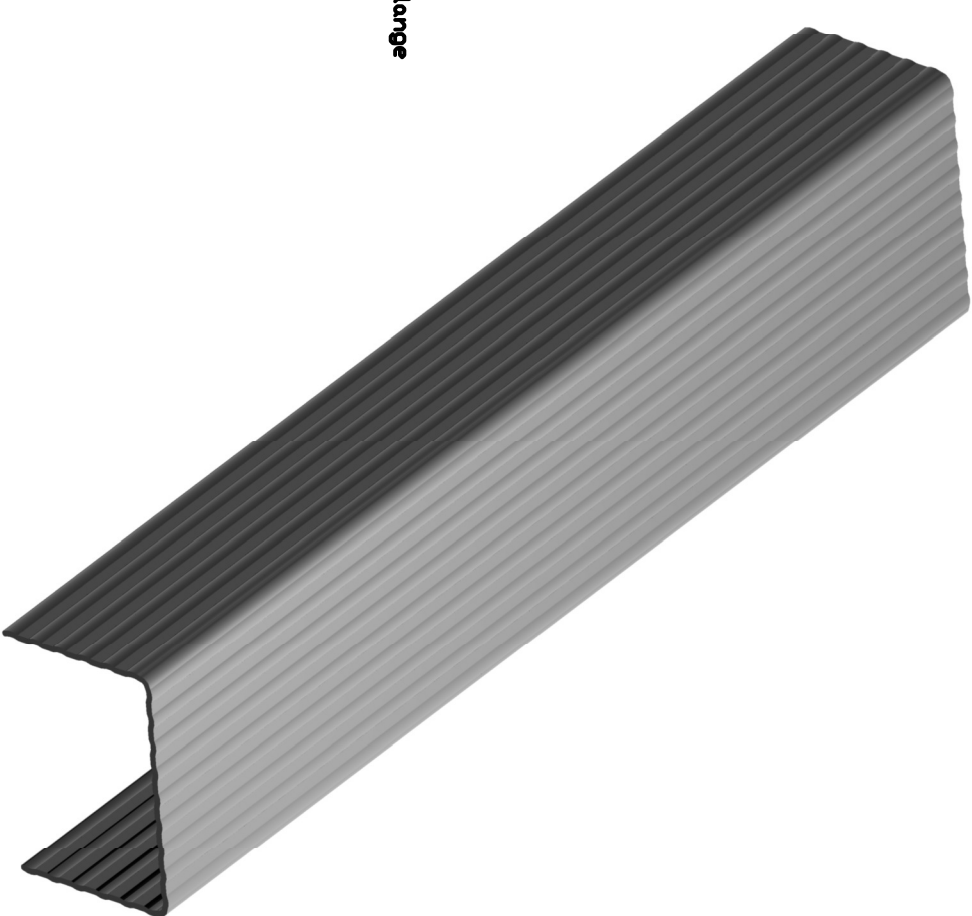
Patent Pending



ESP 975 Cap  
Scale 1:3



Cap-Sheet Connection Details  
NTS



Everlast Synthetic Products, LLC  
1000 Wyingate Pkwy, S-100  
Woodstock, GA 30189  
(800) 687-0036

Scale: NTS

Date: 7/19/16

Project: ESP 975 Cap

Rev #	Date	Description

THIS DRAWING CONTAINS PROPRIETARY INFORMATION, WHICH IS THE PROPERTY OF EVERLAST SYNTHETIC PRODUCTS, LLC AND SHALL NOT BE COPIED, REPRODUCED, OR MADE AVAILABLE TO THIRD PARTIES WITHOUT PRIOR WRITTEN PERMISSION FROM EVERLAST SYNTHETIC PRODUCTS, LLC.

Sheet 1 of 1

**PRELIMINARY  
NOT FOR  
CONSTRUCTION**

Certified only with seal,  
signature, and date